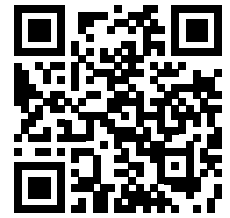


HYDRAULIC BIO SHREDDER

<http://tiny.cc/bio-shredder>



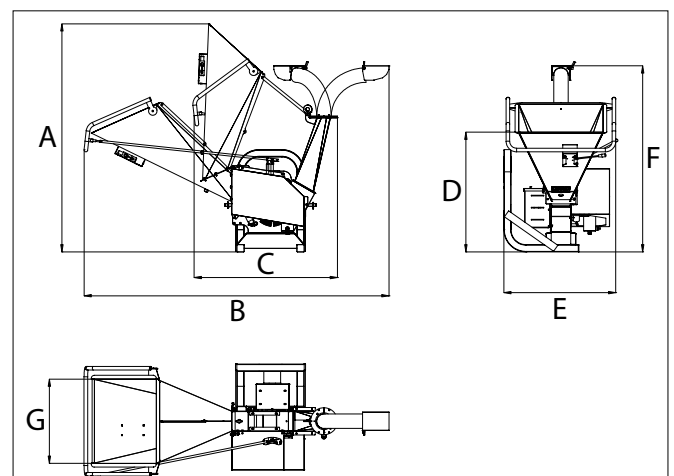
FEATURES & BENEFITS

- Compact dimensions
- Excellent tool for chipping branches and small tree trunks
- Manual feeding and discharge chute rotation
- Equipped with safety stop system
- Foldable for easy transport



The hydraulically powered chipper/shredder is a powerful tool for quickly reducing a pile of brush, garden waste, and tree limbs to reusable shredded mulch. Combined with the MultiOne, this chipper/shredder can work in areas not reachable with a traditional towed chipper.

The machine's design incorporates a feed roller that pulls the branches up to 90 mm (3.5 in) diameter into the chipper section in a controlled, safe speed. The chips are then processed by the shredder section, reducing the wood chips to mulch. The operator remains safely out of the way during the chipping/shredding process.



		Dimensions						
		A	B	C	D	E	F	G
cm		189	211	117	100	94	155	70
in		74.4	83	46	39.4	37	61	27.5

Model	Max timber diameter	Weight	Code
Hydraulic bio shredder	9 cm (3.5 in)	210 kg (463 lbs)	C890730

Compatibility	1.1	2.3	4.2	5.2	5.3	6.3	7.2	8.4	8.5	11.6	11.9	EZ5	EZ7 EZ8
	Very compatible						Compatible				Not compatible		

