

Gyru-Star 3-100MAX



Carriers

4 - 6 ton Excavators
8800 - 13200 lbs Excavators

Weight

425 kg
950 lbs

Capacity

0.43 m³
0.56 yd³

Flow

65 l/m
17 gpm

Pressure

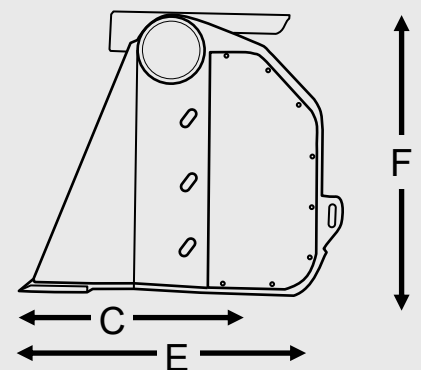
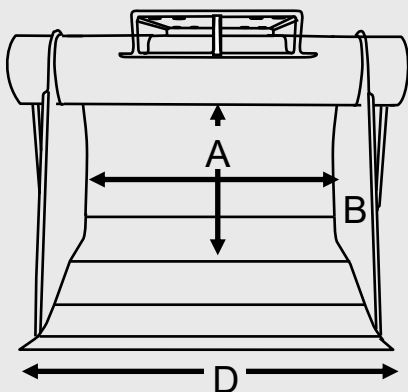
200 bar
2900 PSI

Screening Area

430 x 1000 mm 17 x 39 inch

Dimensions

A 430 mm 17 inch **B** 1000 mm 39 inch
C 500 mm 20 inch **D** 1250 mm 49 inch
E 760 mm 30 inch **F** 640 mm 25 inch



True compact screening

Low maintenance bucket

Poly stars which screen without crushing

Large screening area to maximise output

Non-stick Floor as standard

Fast efficient screening systems